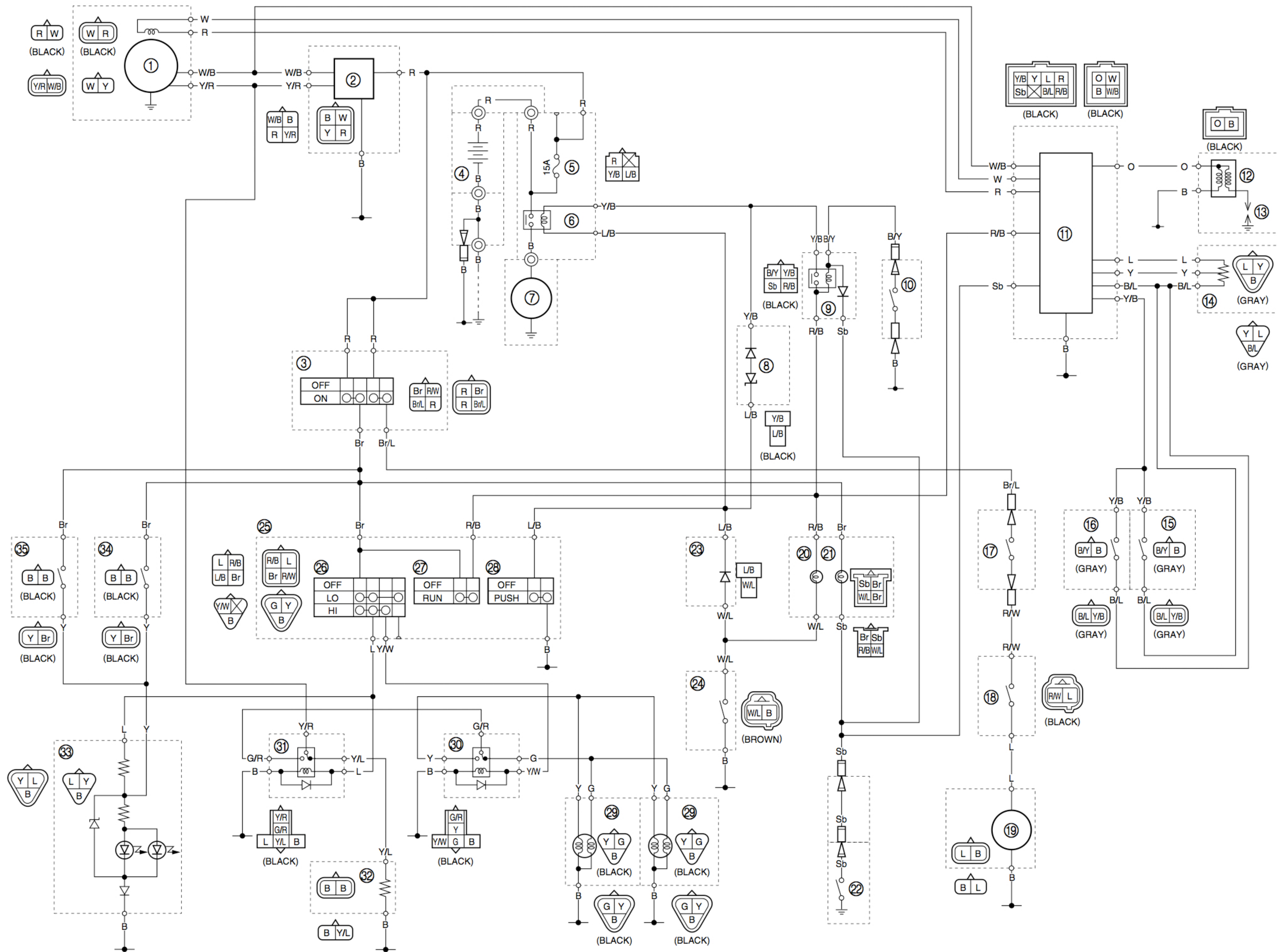


YFZ450V WIRING DIAGRAM



YFZ450V WIRING DIAGRAM

- ① A.C. magneto
- ② Rectifier/regulator
- ③ Main switch
- ④ Battery
- ⑤ Fuse
- ⑥ Starter relay
- ⑦ Starter motor
- ⑧ Diode 1
- ⑨ Starting circuit cut-off relay
- ⑩ Clutch switch
- ⑪ C.D.I. unit
- ⑫ Ignition coil
- ⑬ Spark plug
- ⑭ Throttle position sensor
- ⑮ Throttle switch
- ⑯ Carburetor switch
- ⑰ Circuit breaker (fan motor)
- ⑱ Thermo switch 1
- ⑲ Fan motor
- ⑳ Coolant temperature warning light
- ㉑ Neutral indicator light
- ㉒ Neutral switch
- ㉓ Diode 2
- ㉔ Thermo switch 2
- ㉕ Handlebar switch
- ㉖ Light switch
- ㉗ Engine stop switch
- ㉘ Start switch
- ㉙ Headlight
- ㉚ Headlight relay 1
- ㉛ Headlight relay 2
- ㉜ Resistor
- ㉝ Tail/brake light
- ㉞ Rear brake light switch
- ㉟ Front brake light switch

COLOR CODE

B	Black
Br	Brown
G	Green
L	Blue
O	Orange
R	Red
Sb	Sky blue
W	White
Y	Yellow
B/L	Black/Blue
B/Y	Black/Yellow
Br/L	Brown/Blue
G/R	Green/Red
L/B	Blue/Black
R/B	Red/Black
R/W	Red/White
W/B	White/Black
W/L	White/Blue
Y/B	Yellow/Black
Y/L	Yellow/Blue
Y/R	Yellow/Red
Y/W	Yellow/White